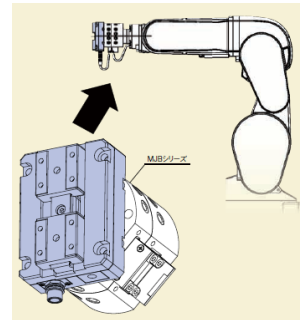


Electric Hand Flat Type

New Long stroke type available!

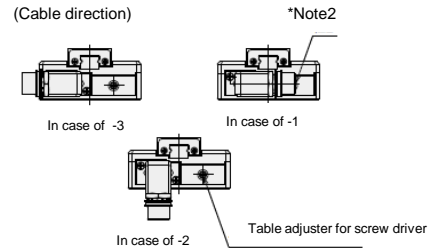
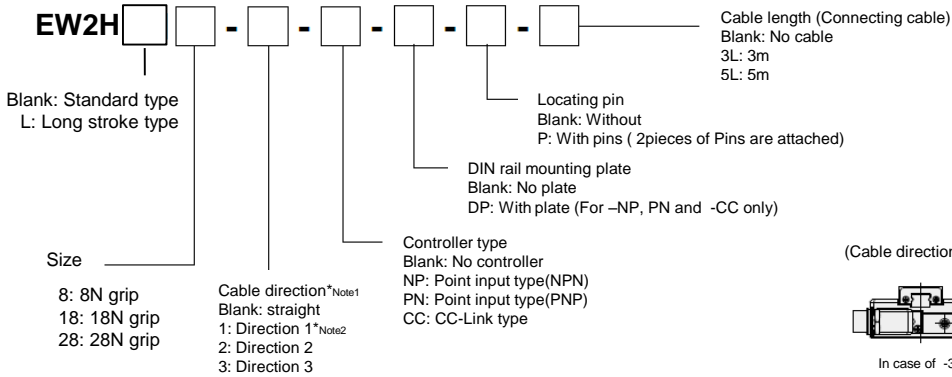


- Worlds thinnest body, lightweight, compact
- 3 sizes: Max. gripping force 8~16N, 18~33N, 28~50N
- Point input type (NPN/PNP), and CC-Link type controllers

Items	Model	EW2H8	EW2HL8	EW2H18	EW2HL18	EW2H28	EW2HL28
Motor		DC brushless motor					
Maximum Speed (One side, Positioning mode)	mm/s	50					
Maximum Speed (One side, Gripping mode)	mm/s	20		30		20	
Minimum Speed	mm/s	5					
Effective gripping force (Level5)	N	8~16		18~32		28~50	
Repeatability	mm	Under ±0.05					
Measuring accuracy	mm	Under 0.05					
Open/closed stroke	mm	10 (One side 5mm)	32(One side 16mm)	14(One side 7mm)	42(One side 21mm)	18(One side 9mm)	52(One side 26mm)
Position detection		Hall IC					
Maximum load(Total amount of 2 fingers)	kg	0.2		0.3		0.4	
Travel parallelism 走り平行度	mm	Under 0.1	Under 0.15	Under 0.1	Under 0.15	Under 0.1	Under 0.15
Mass	kg	0.09	0.14	0.16	0.25	0.36	0.48
Backlash (Both side)	mm	Under 0.5					
Life time		Over round 4 million times(By life time test condition)					

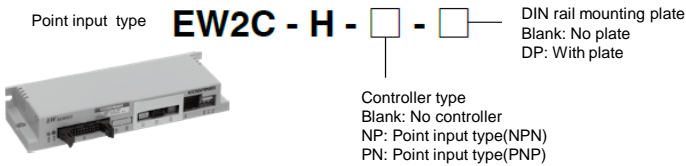
Model codes

Main unit

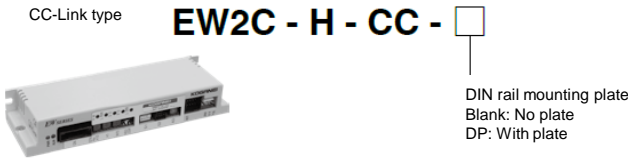


*Note 1: Connector directions cannot be changed after purchase.
*Note 2: Table adjuster is not available for EW2H8 and EW2H18
As for EW2H28, table adjustable is available in case of without connecting cable.

Controller



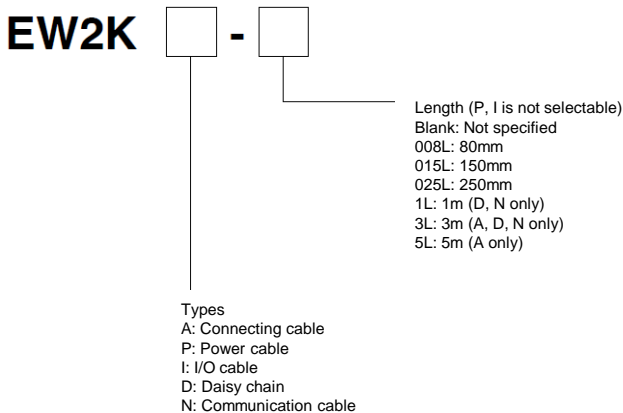
● Attachment items : Power cable, I/O cable



● Attachment items : Power cable, Connector for CC Link



Cables



Communication cable

IBM2A - H1 -

Blank: With USB cable
N: No USB cable

CC-Link connector

EW2CC

DIN rail mounting plate

EW2DP

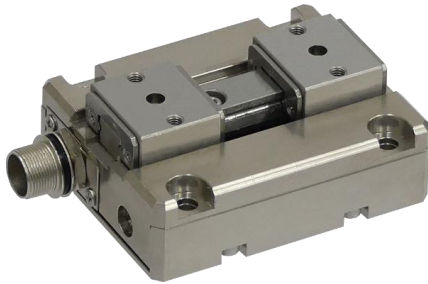
Terminator

EW2FR

Teaching box

EW2TB

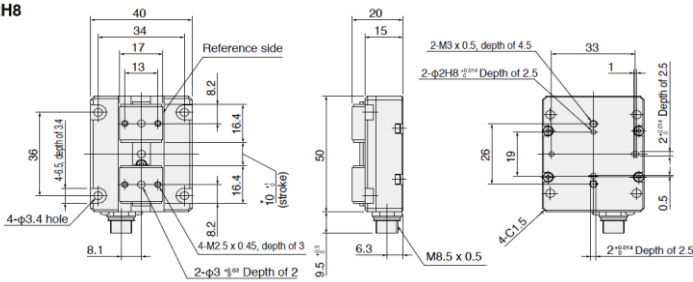
Electric Hand Flat Type 「EW2 Series」



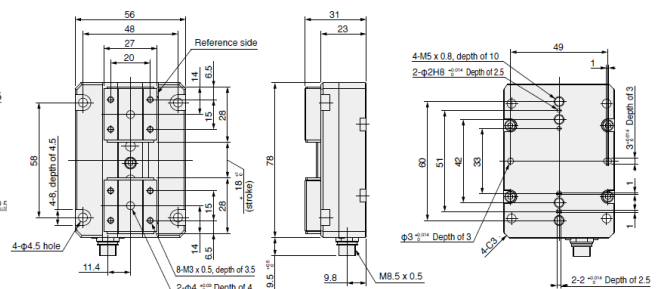
- Worlds thinnest body, lightweight, compact
- 3 sizes: Max. gripping force 8N, 18N, 28N
- Point input type, and CC-Link type controllers

Specification	Model	EW2H8	EW2H18	EW2H28
Motor		Brushless motor		
Maximum Speed (per side during positioning mode)	mm/s	50		
Maximum Speed (per side during pickup mode) ^{Note}	mm/s	20	30	20
Minimum speed (per side)	mm/s	5		
Maximum Gripping Force ^{Note}	N	8	18	28
Operating Temperature Range	°C	0 to 40		
Open/Close Stroke	mm	10 (5 per side)	14 (7 per side)	18 (9 per side)
Continuous Positioning Accuracy	mm	±0.05		
Allowed Moment of Inertia (dynamic)	Mp N-m	0.51	1	3
	My N-m	0.3	1	4
	Mr N-m	0.6	2	8
Maximum Payload Capacity (both sides)	kg	0.2	0.3	0.4
Weight	kg	0.09	0.16	0.36
Compatible Controllers		EW2C-H-NP and EW2C-H-CC		

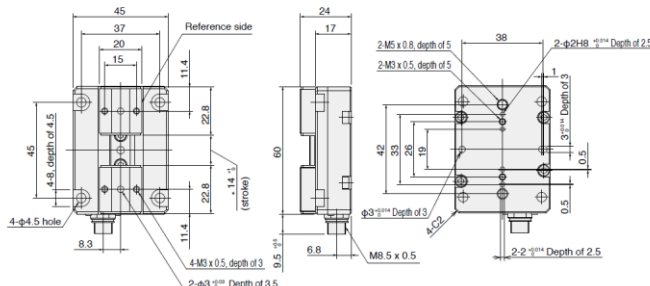
EW2H8

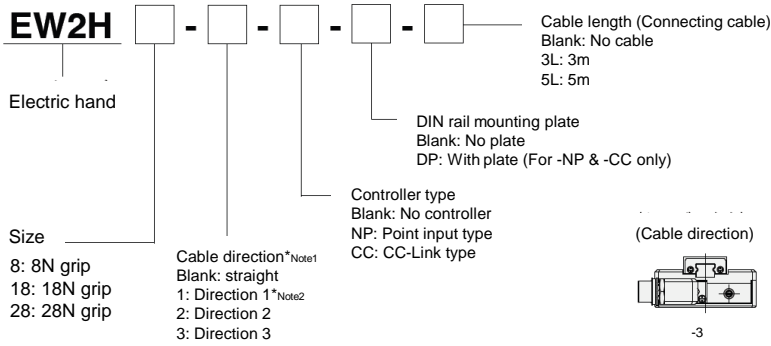


EW2H28



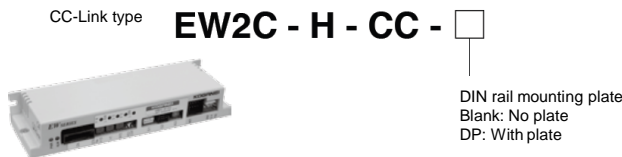
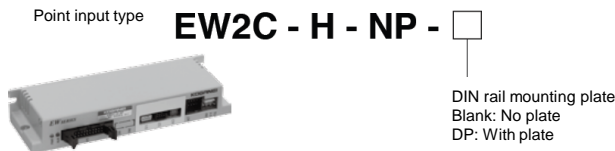
EW2H18





*Note 1: Connector directions cannot be changed after purchase
*Note 2: No table adjuster

Controller



Cables

